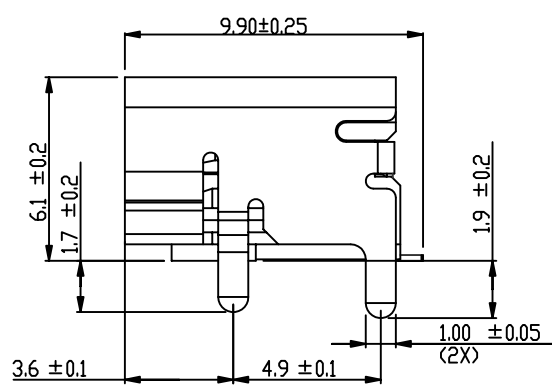
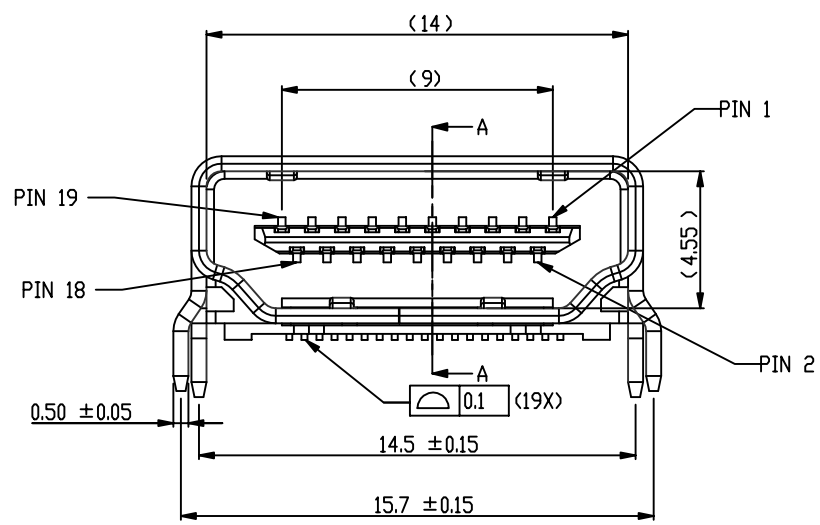
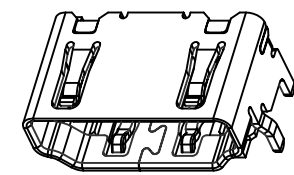
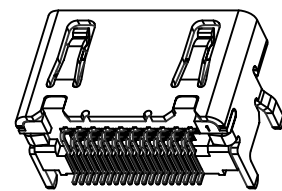
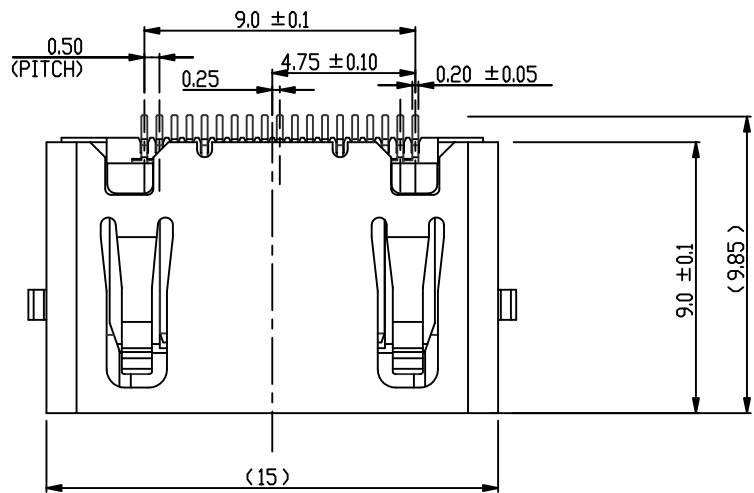


PRODUCT NO.
10029449-X01XLF



SECTION A-A

Mark with
10029449-001
REV. 1
in area indicated
by X....



www.fciconnect.com

tolerance	projection	↔
size	A4	Scale 1.000

Dr	LEIF SHEN	10/15/04	Product family	
Eng	LEIF SHEN	10/15/04	Spec ref	*
Chr	PAUL WANG	10/15/04	Material	SEE NOTES
Appr	JOSEPH HSIA	10/15/04		ECN

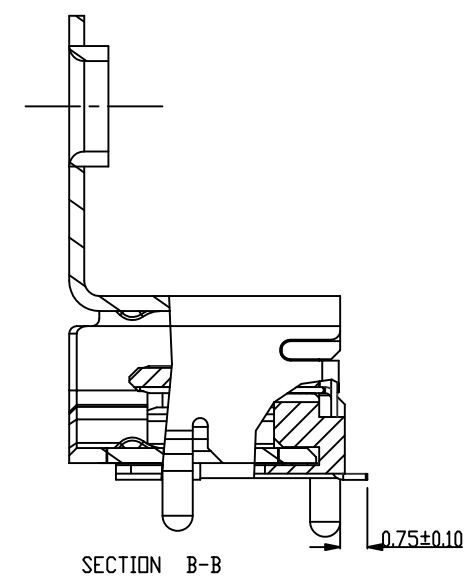
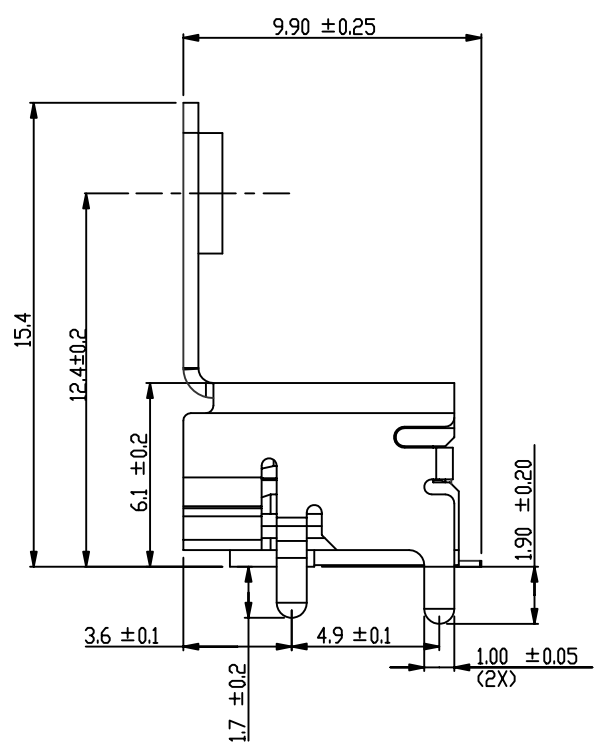
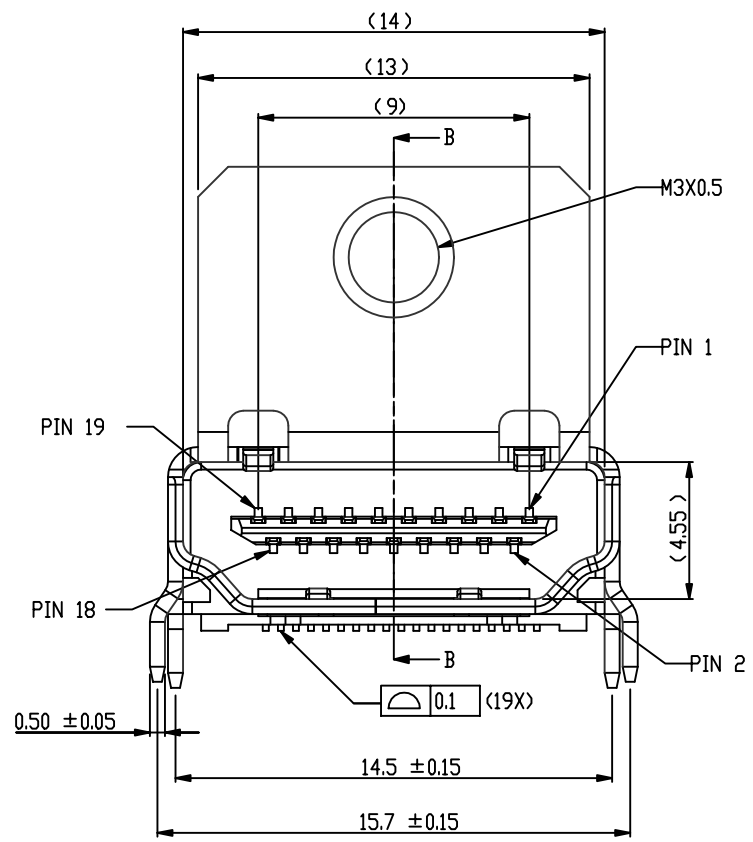
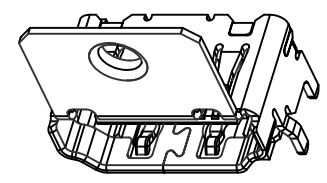
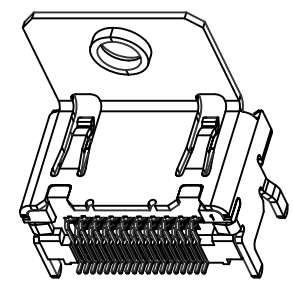
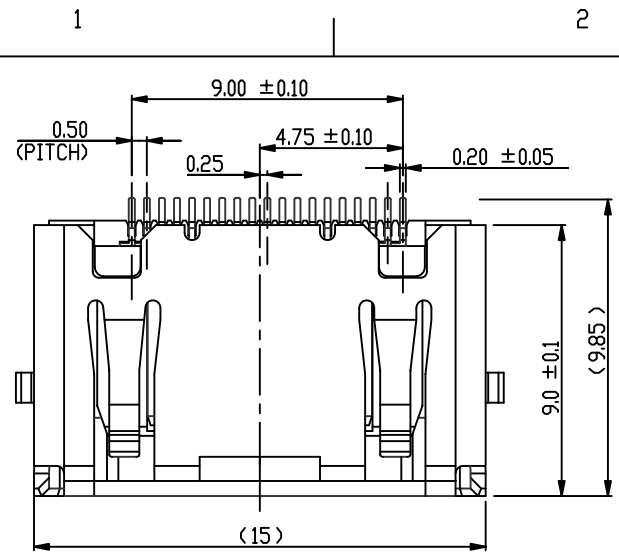
GENERAL TOLERANCE	ANGLE
±0.8	X°±
.x±0.4	X°±2°
.xx±0.2	

rev	ecn no	dr	date
D	T05-0301	LS	12/29/05
E	T06-0033	LS	02/23/06
F	T06-0048	LS	03/20/06
G	N06-0210	LONG	11/20/06
H	N06-0322	LONG	12/27/06
J	N08-0003	SH	01/22/08

title	HDMI TYPE A RECEPTACLE	dwg no	10029449	Rev.	J
catalog no		*	CUSTOMER	sheet 1 of 10	



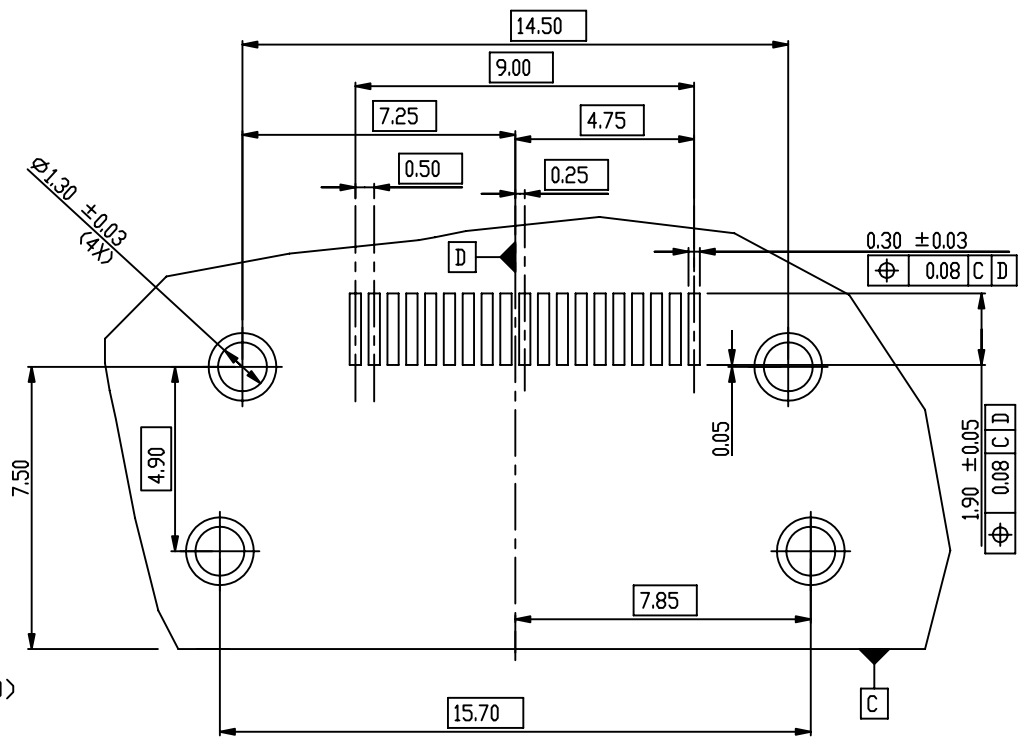
PRODUCT NO.
10029449-X02XLF



title	HDMI TYPE A RECEPTACLE	catg no	10029449	Rev.	J
	HDMI		* CUSTOMER		sheet 2 of



PRODUCT NO.
10029449-X01XLF
10029449-X02XLF



RECOMMENDED PCB PATTERN LAYOUT
(t=1.6mm)

NOTES:

- 1.MATERIAL
 - 1-1 HOUSING: GLASS FIBER HIGH-TEMP. RESIN.(UL94V-0)
 - 1-2 CONTACT: COPPER ALLOY
 - 1-3 SHELL : COPPER ALLOY
- 2 FINISH
 - 2-1 CONTCT : Ni UNDER PLATED ALL OVER
CONTACT AREA 30u" Au MIN. OR 15u" GXT MIN.
 - 2-2 SHELL : Ni 2.54 MICRONS MIN.
- 3 PACKAGING:
 - PACKAGING SPECIFICATION GS-14-939.
- 4.RoHS STANDARD SPECIFICATION ACCORDING TO FCI GS-22-008.
- 5.PRODUCT P/N DEFINITION:

10029449-X	XX	X	LF	

BASE PRODUCT NUMBER _____

TERMINAL CONTACT AREA PLATING OPTION _____

0 - 30u" GOLD;

1 - 15u" GXT

SHELL OPTION _____

01 - THROUGH HOLE, NO FLANGE;

02 - THROUGH HOLE, WITH FLANGE

PACKAGING OPTION _____

R - TAPE & REEL

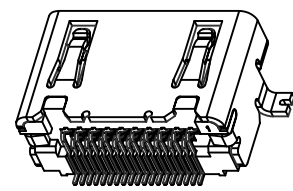
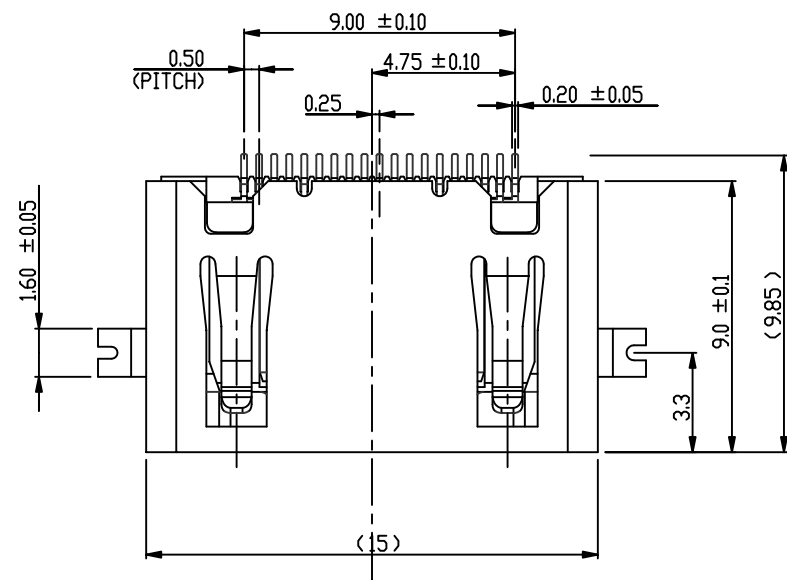
T - TRAY

LEAD FREE MARK _____

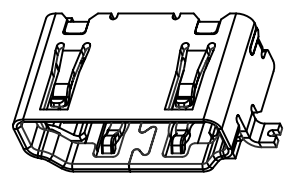
title	HDMI TYPE A RECEPTACLE	dwg no	10029449	Rev.	J
catalog no		*	CUSTOMER	sheet 3 of 10	



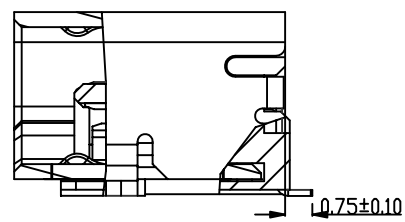
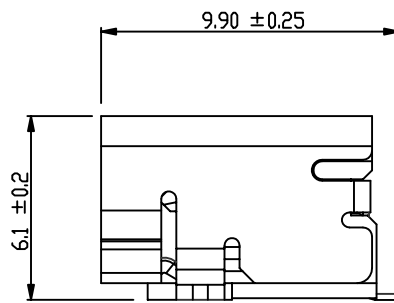
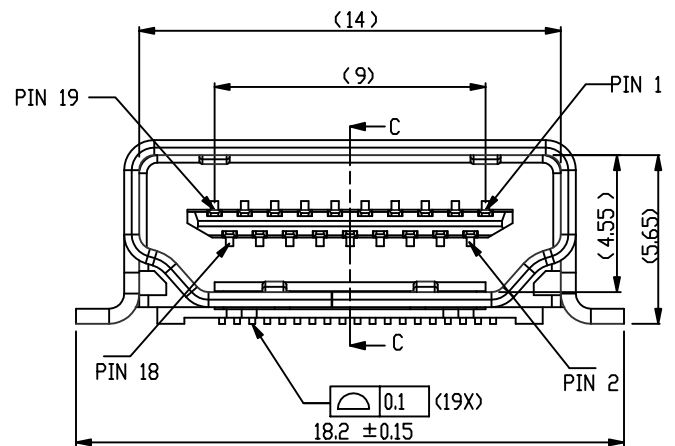
PRODUCT NO.
10029449-X03XLF



SCALE 2.000



SCALE 2.000

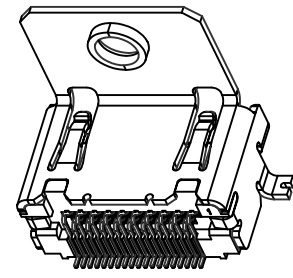
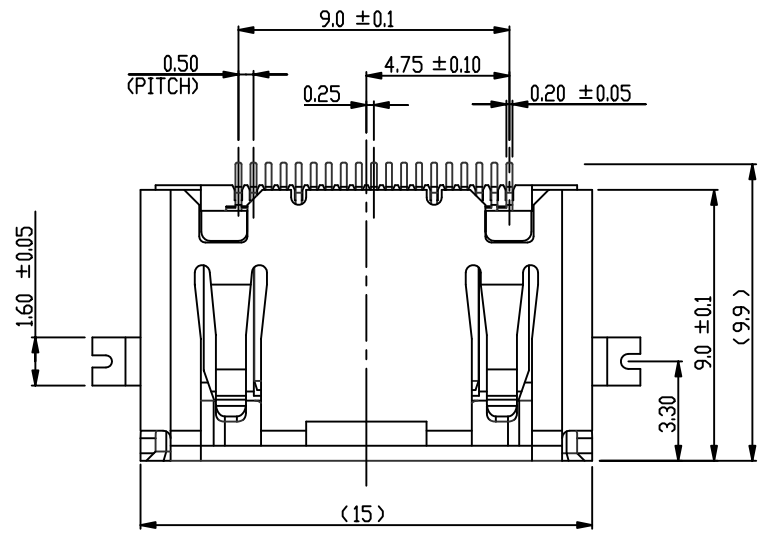


SECTION C-C

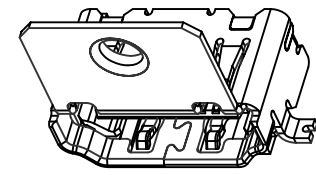
title	HDMI TYPE A RECEPTACLE	chg no	10029449	Rev.	J
	HDMI		* CUSTOMER		sheet 4 of 10
catalog no					



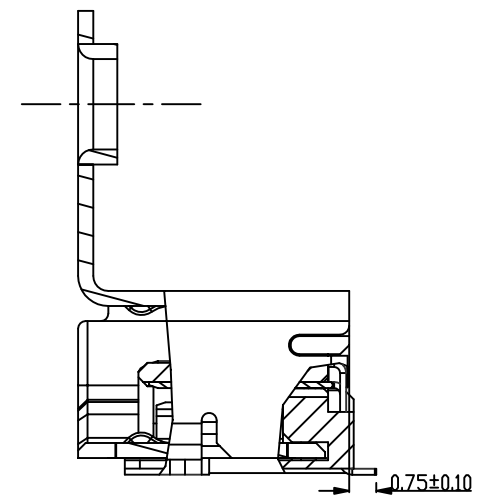
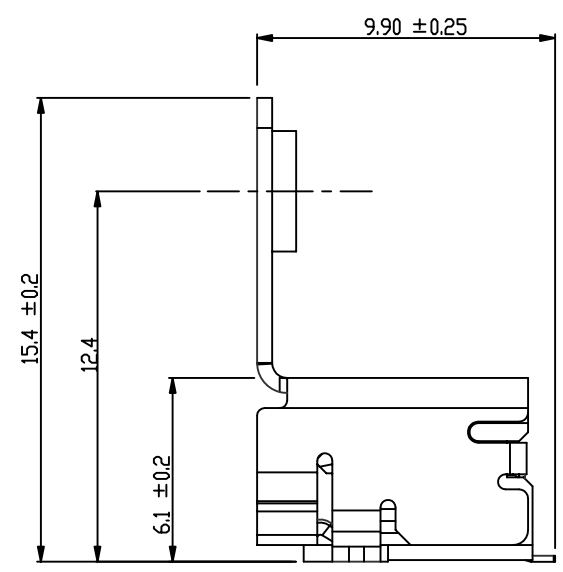
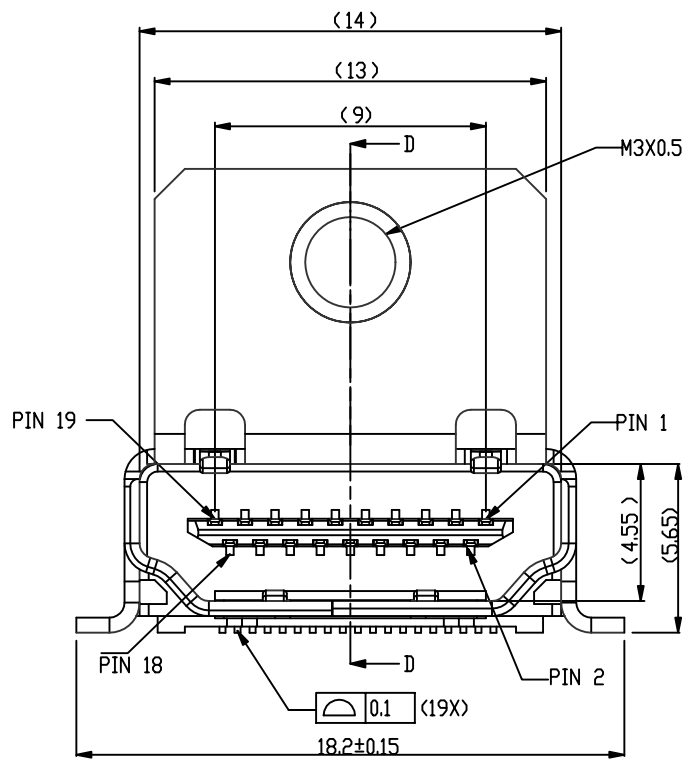
PRODUCT NO.
10029449-X04XLF



SCALE 2.000



SCALE 2.000



SECTION D-D

title	HDMI TYPE A RECEPTACLE	dwg no	10029449	Rev.	J
	HDMI		* CUSTOMER		sheet 5 of 10
catalog no					



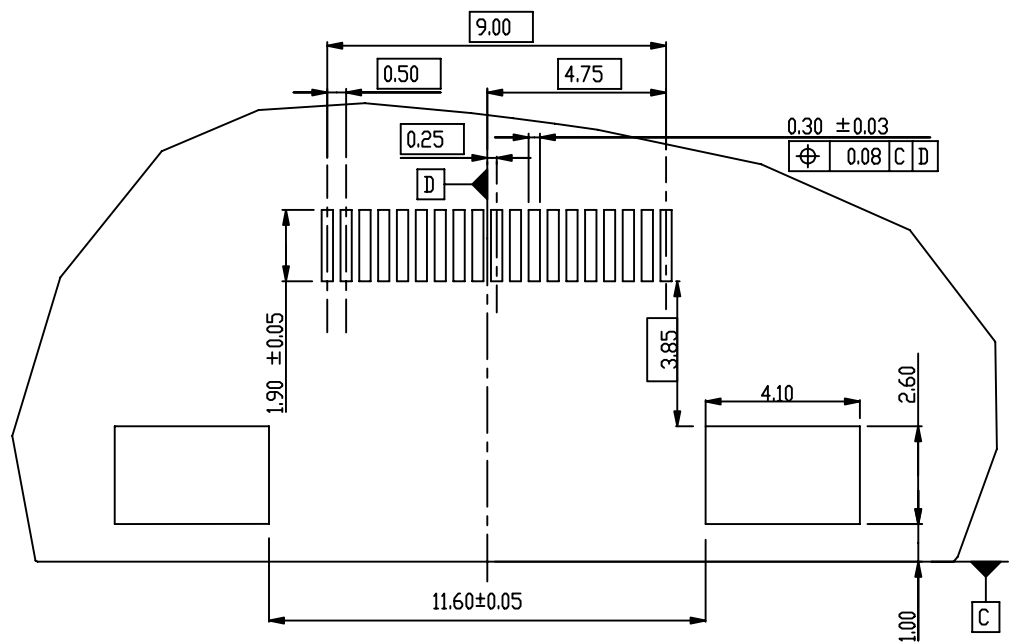
1

2

3

4

PRODUCT NO.
10029449-X03XLF
10029449-X04XLF



NOTES:

1.MATERIAL

- 1-1 HOUSING: GLASS FIBER HIGH-TEMP. RESIN.(UL94V-0)
- 1-2 CONTACT: COPPER ALLOY
- 1-3 SHELL : COPPER ALLOY

2 FINISH

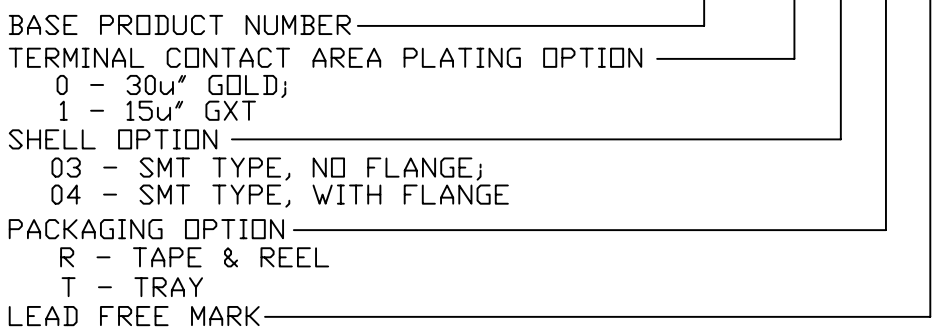
- 2-1 CONTCT : Ni UNDER PLATED ALL OVER
CONTACT AREA 30u" Au MIN. OR 15u" GXT MIN.
- 2-2 SHELL : Ni 2.54 MICRONS MIN.

3 PACKAGING:

PACKAGING SPECIFICATION GS-14-939.

4.RoHS STANDARD SPECIFICATION ACCORDING TO FCI GS-22-008.

5.PRODUCT P/N DEFINITION: 10029449-X XX X LF



RECOMMENDED SMT PCB PATTERN LAYOUT



title	HDMI TYPE A RECEPTACLE	dwg no	10029449	Rev.	J
	HDMI		CUSTOMER		sheet 6 of 10
catalog no	*				

1

2

3 PDM: Rev:J

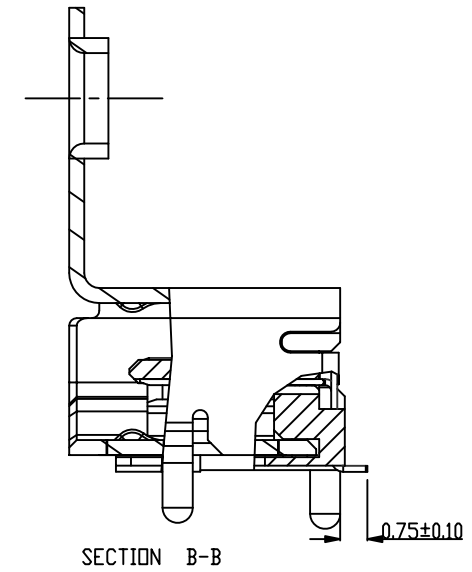
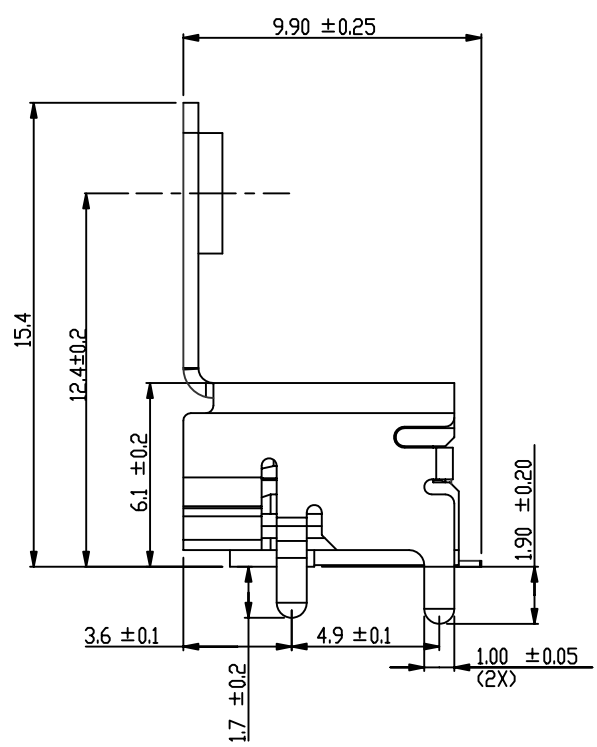
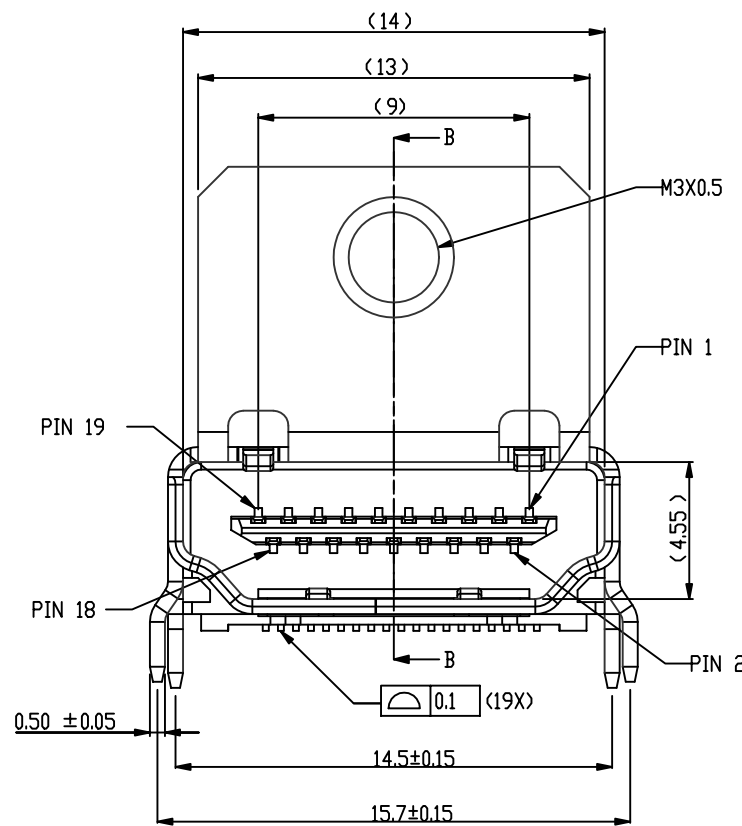
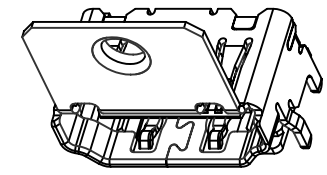
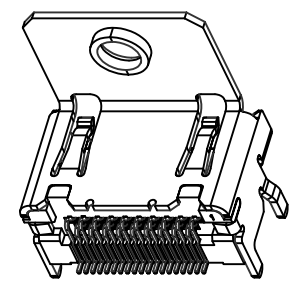
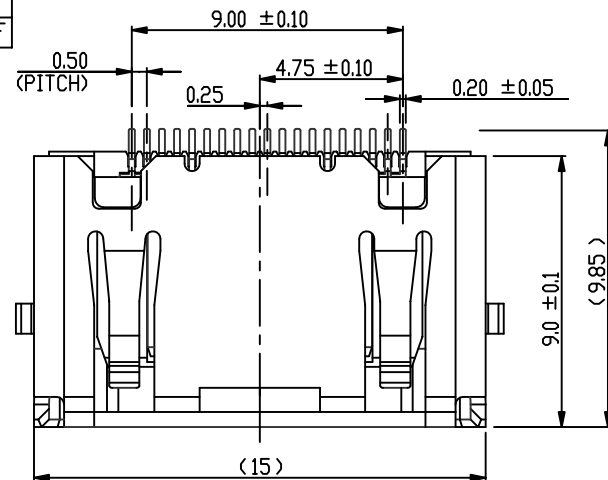
STATUS Released

4

Printed: Apr 04, 2008



PRODUCT NO.
10029449-005TLF



title	HDMI TYPE A RECEPTACLE	catg no	* CUSTOMER	sheet 7 of 10	Rev. J
	HDMI				

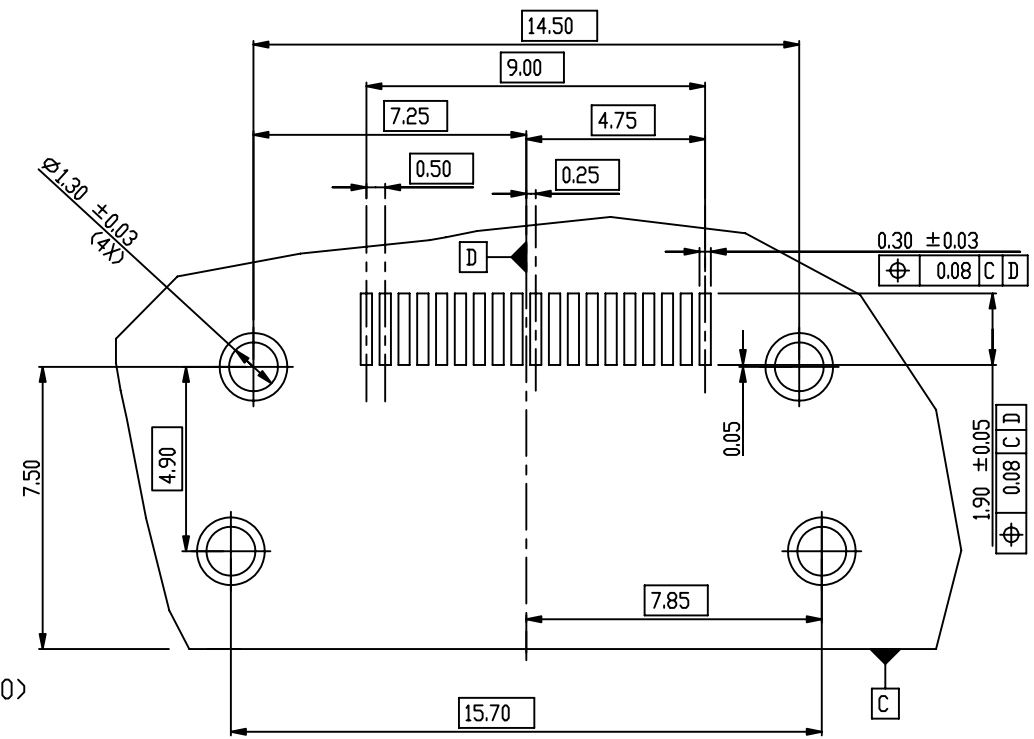
1

2

3 PDM: Rev:J

STATUS Released 4 Printed: Apr 04, 2008

PRODUCT NO.
10029449-005TLF



RECOMMENDED PCB PATTERN LAYOUT
(t=1.6mm)

NOTES:

1.MATERIAL

- 1-1 HOUSING: GLASS FIBER HIGH-TEMP. RESIN.(UL94V-0)
- 1-2 CONTACT: COPPER ALLOY
- 1-3 SHELL : COPPER ALLOY

2 FINISH

- 2-1 CONTCT : Ni UNDER PLATED ALL OVER
- 2-2 SHELL : Ni 2.54 MICRONS MIN.

3 PACKAGING:

PACKAGING SPECIFICATION GS-14-939.

4.RoHS STANDARD SPECIFICATION ACCORDING TO FCI GS-22-008.

5.PRODUCT P/N DEFINITION:

10029449-X XX X LF

BASE PRODUCT NUMBER _____

TERMINAL CONTACT AREA PLATING OPTION _____

0 - 15μ" GOLD, ALL OTHERS AREA PLATING GOLD FLASH

SHELL OPTION _____

05 - THROUGH HOLE, WITH FLANGE

PACKAGING OPTION _____

T - TRAY

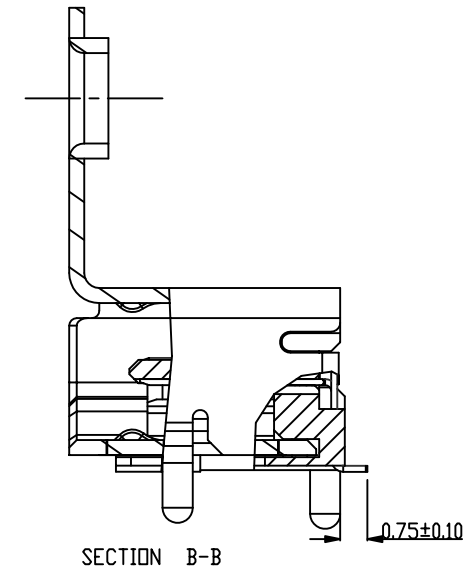
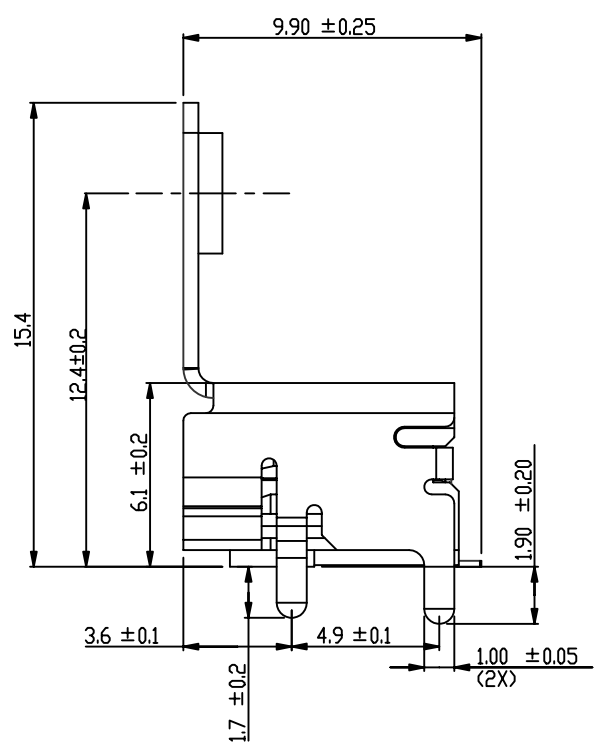
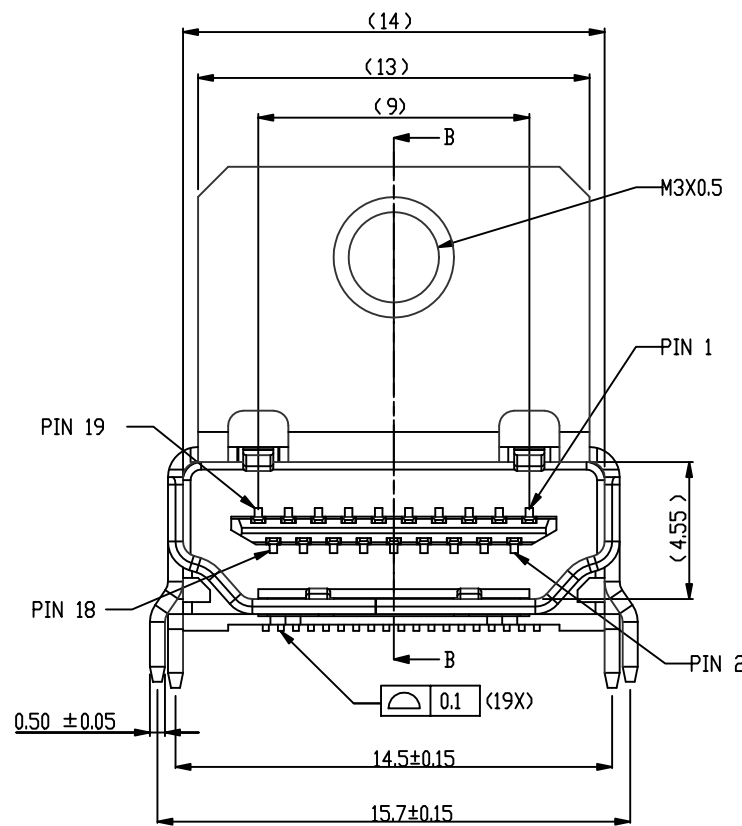
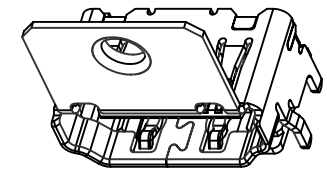
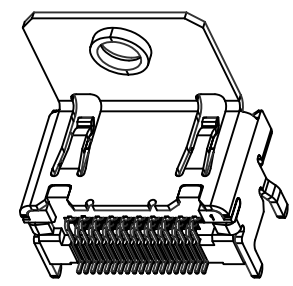
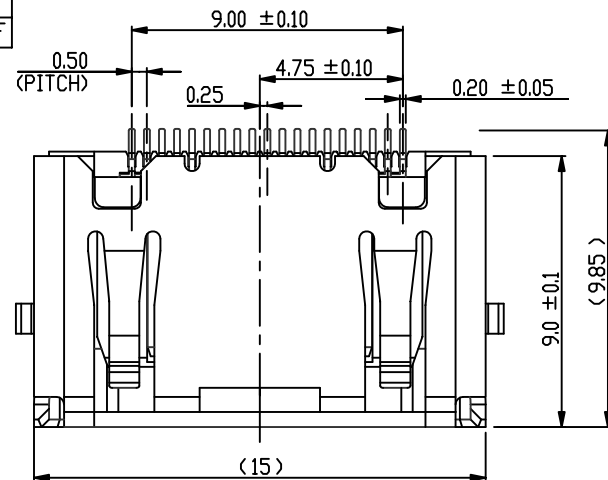
LEAD FREE MARK _____

title	HDMI TYPE A RECEPTACLE	dwg no	10029449	Rev.	J
	HDMI				
catalog no		*	CUSTOMER	sheet 8 of 10	





PRODUCT NO.
10029449-006TLF



title	HDMI TYPE A RECEPTACLE	catg no	* CUSTOMER	sheet 9 of 10	Rev. J
	HDMI				

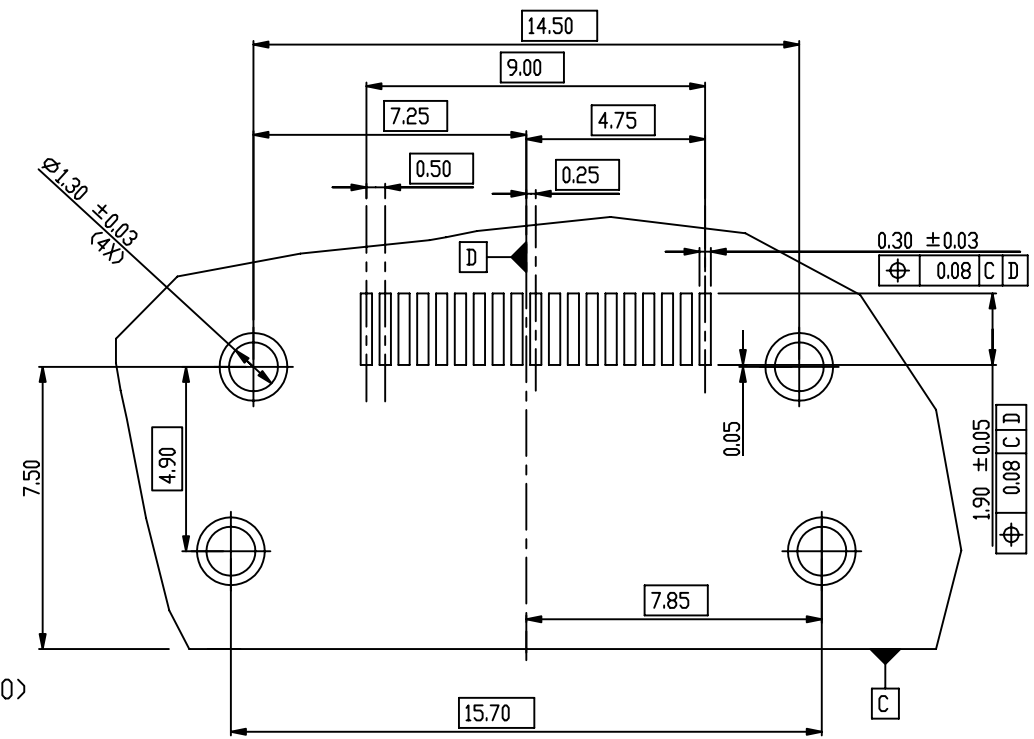
1

2

3 PDM: Rev:J

4 STATUS Released Printed: Apr 04, 2008

PRODUCT NO.
10029449-006TLF



RECOMMENDED PCB PATTERN LAYOUT
(t=1.6mm)

NOTES:

1.MATERIAL

- 1-1 HOUSING: GLASS FIBER HIGH-TEMP. RESIN.(UL94V-0)
- 1-2 CONTACT: COPPER ALLOY
- 1-3 SHELL : COPPER ALLOY

2 FINISH

- 2-1 CONTACT : Ni UNDER PLATED ALL OVER
CONTACT AREA 15u" Au MIN.
ALL OTHERS AREA PLATING 5u" GOLD FLASH.
- 2-2 SHELL : ALL OVER Ni UNDER PLATING 1.27 MICROMETER MIN. MATTE Sn PLATING 2.54 MICROMETER MIN.

3 PACKAGING:

PACKAGING SPECIFICATION GS-14-939.

4.RoHS STANDARD SPECIFICATION ACCORDING TO FCI GS-22-008.

5.PRODUCT P/N DEFINITION: 10029449-X XX X LF

BASE PRODUCT NUMBER _____

TERMINAL CONTACT AREA PLATING OPTION _____
0 - 15u" GOLD, ALL OTHERS AREA PLATING GOLD FLASH

SHELL OPTION _____
06 - THROUGH HOLE, WITH FLANGE

PACKAGING OPTION _____
T - TRAY

LEAD FREE MARK _____

title	HDMI TYPE A RECEPTACLE	drg no	10029449	Rev.	J
	HDMI				
catalog no		*	CUSTOMER	sheet 10 of 10	

